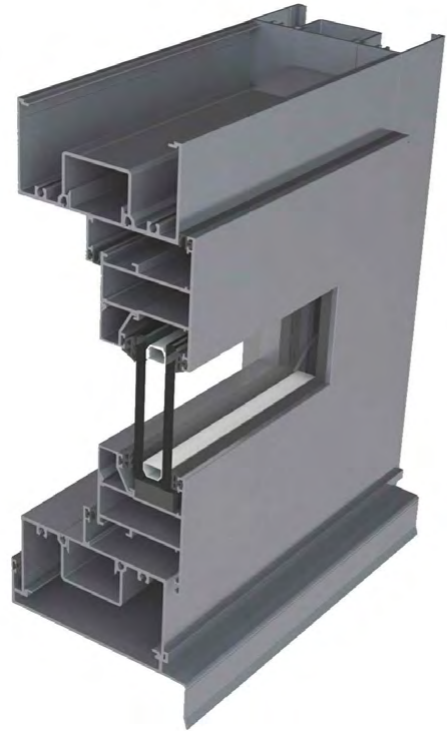


Max™ MULTI LOCKING PROJECT OUT SASHES

Max Framing Systems: MULTILOCKING - 1

Multi Locking Project Out Sashes



FEATURES:

- Quality Roto European Hardware
- Sash Adaptor Mitre cut - adaptable to Centre & Front Glaze
- Multi Locking as a turn handle - sill mounted as an awning
- Multi Locking as a turn handle - side mounted as a casement
- No screen option unless winder operated or retractable screens
- 180kg Sash weight
- Capable of awning sashes up to 2400mm high & 1200mm wide, subject to hardware limits
- Capable of casement sashes up to 2400mm high & 900mm wide, subject to hardware limits
- Glass: 24mm - 38mm IGU's

FABRICATION:

- Mitre cut
- Corner staked & crimped to provide a rigid joint to lessen the instance of Sashes dropping.

PRODUCT APPLICATIONS:

- Very large Sashes
- High windload areas
- Improved Acoustics through wide range of glass types
- Operable blinds in IGUs

LIMITATION:

Ability to fit flyscreens on 100mm framing in particular

HARDWARE SELECTION:

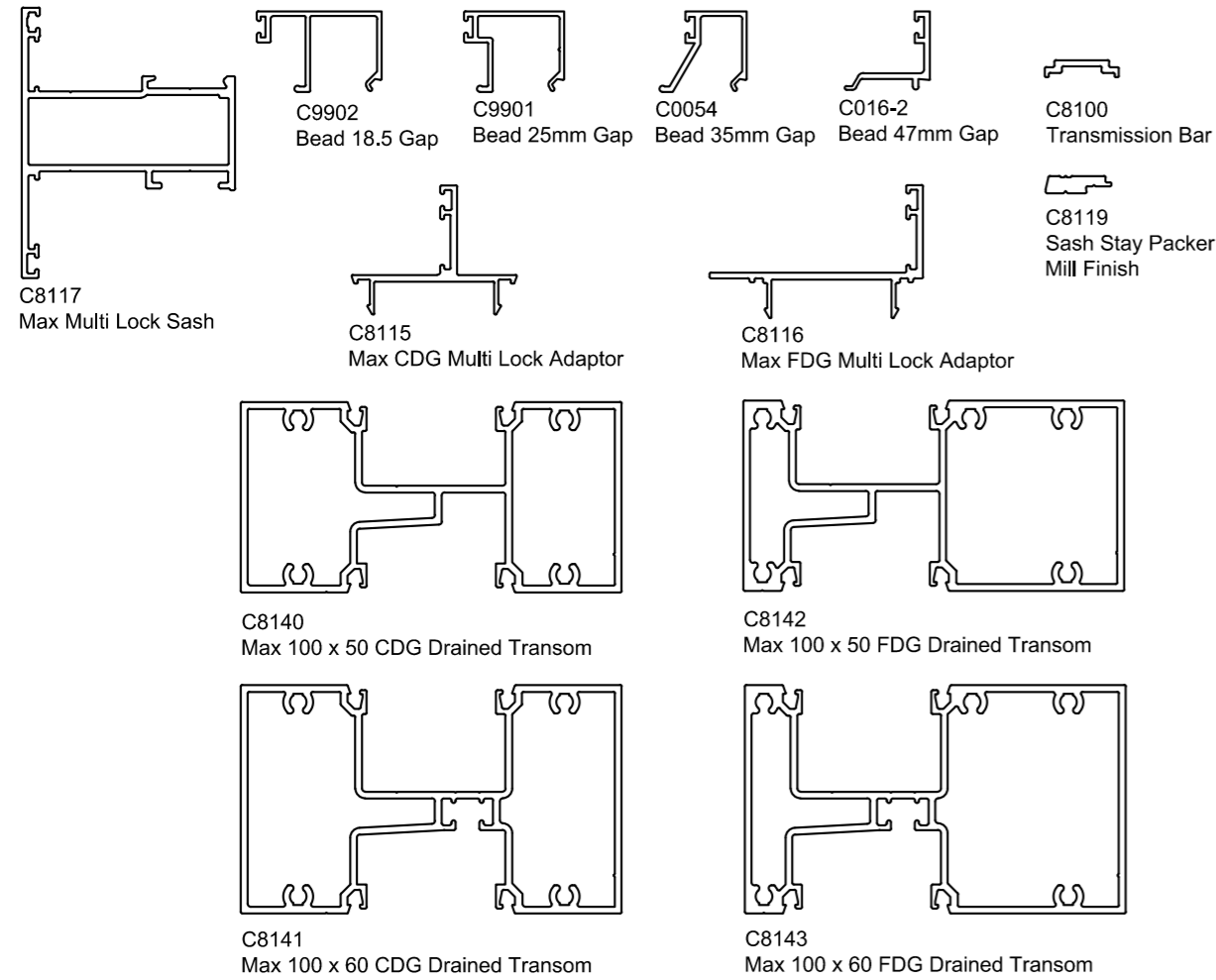
Selecting the correct hardware for application is determined by many factors that change on a project by project basis. Careful consideration needs to be given to opening type, size & weight, wind loads, location within the building, security, ease of operation, budget, serviceability & aesthetic requirements.

Typical hardware is shown throughout our catalogues to depict opening types & function. There are a range of sash types available to cover a variety of applications. Once the opening type has been selected, it is the responsibility of the fabricator to determine hardware suitability with the hardware manufacturer, ensuring their selection meets project requirements.

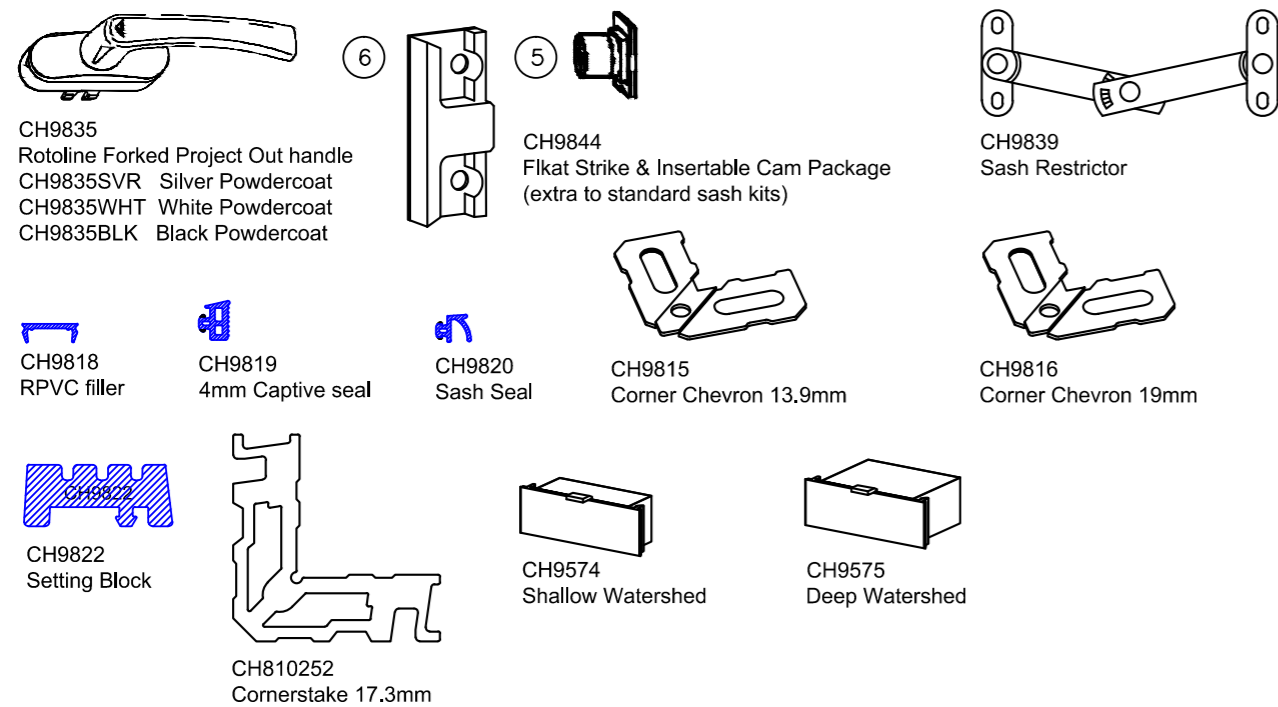
Max™ MULTI LOCKING PROJECT OUT SASHES

Max Framing Systems: MULTILOCKING - 2

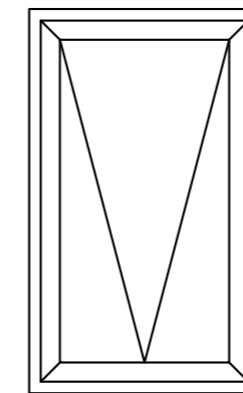
Extrusion ID



Component ID



Multi Locking Awning Hardware ID



Note: Awning Sash hardware in the schematic is shown from Inside. The handle is fitted centrally off the back of the sash bottom rail & non-key locking as standard.

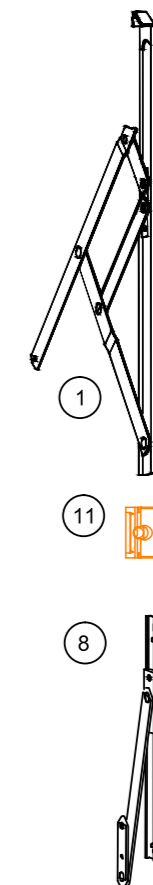
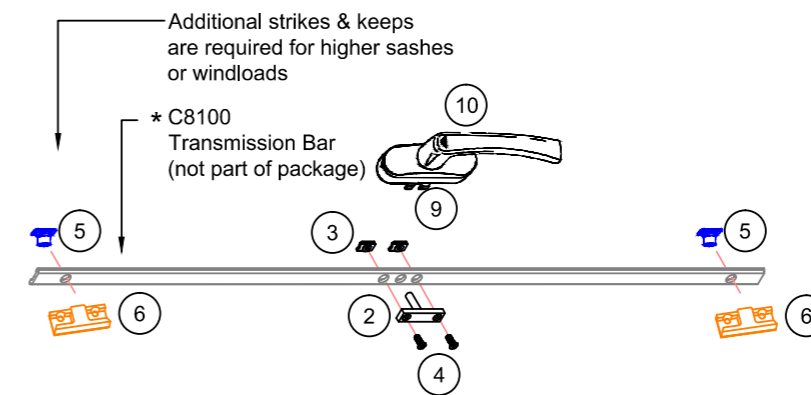


ROTO Awning Sash Hardware

This hardware operates by a non keylocking handle, mounted on the stile of the sash.

- Items in light tones are width & height dependant.
- Items in red are optional & or application specific. Please refer to Bill of Materials information.

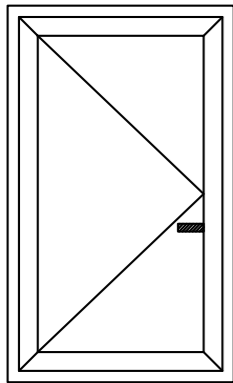
Ref #	Description	Qty
1	S/S Friction Stay	Pair
2	T connector 30mm	1
3	Security Connector for Handle	1
4	CSK Screw M5 x 8mm	1
5	Insertable Mushroom Cam 9.8mm	2
6	Striker	2
7	Centre Closer (Snubber) 16mm	Pair
8	Restrictor - 250mm Open Out 16mm	1
9	26mm Fork for Geared Handle	1
10	Rotoline Handle for Project Out (not part of pkg)	1
11	S7280 Adjustment Block	1
*	C8100 Transmission Bar (clear Anodised) not part of pkg	



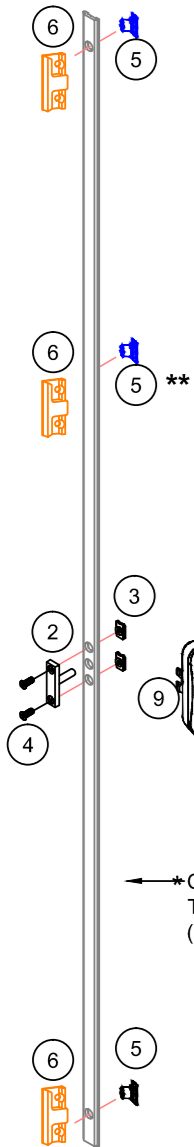
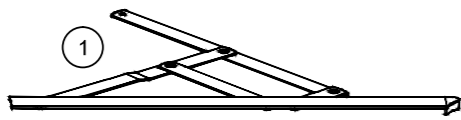
Max™ MULTI LOCKING PROJECT OUT SASHES

Max Framing Systems: MULTILOCKING - 3

Multi Locking Casement Hardware ID



Note: Left Hand Casement Sash depicted as viewed from Outside. The hardware schematic view below however is viewed from Inside.

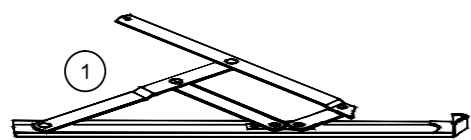
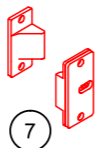


ROTO Casement Sash Hardware

This hardware operates by an non keylocking handle, mounted on the stile of the sash.

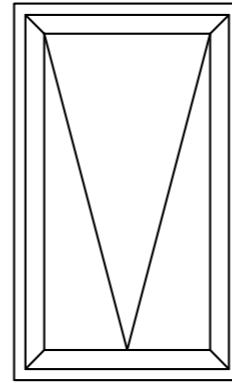
- Items in light tones are width & height dependant.
 - Items in red are optional & or application specific.
- Please refer to Bill of Materials information.

Ref #	Description	Qty
1	S/S Friction Stay	Pair
2	T connector 30mm	1
3	Security Connector for Handle	1
4	CSK Screw M5 x 8mm	1
5	Insertable Mushroom Cam 9.8mm **	2
6	Striker **	2
7	Centre Closer (Snubber) 16mm	Pair
9	26mm Fork for Geared Handle	1
10	Rotoline Handle for Project Out (not part of pkg)	1
*	C8100 Transmission Bar (clear Anodised) not part of pkg	



*C8100 Transmission Bar (not part of package)

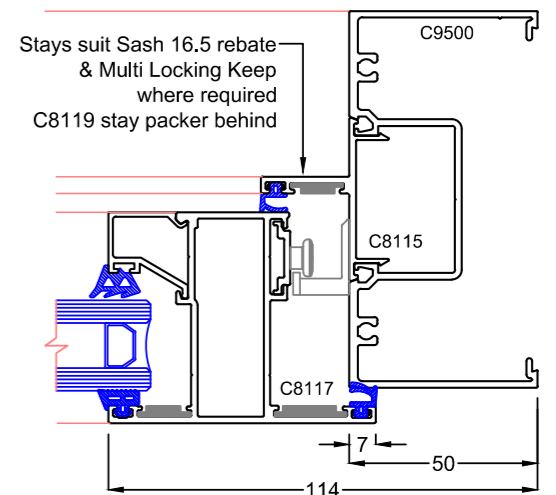
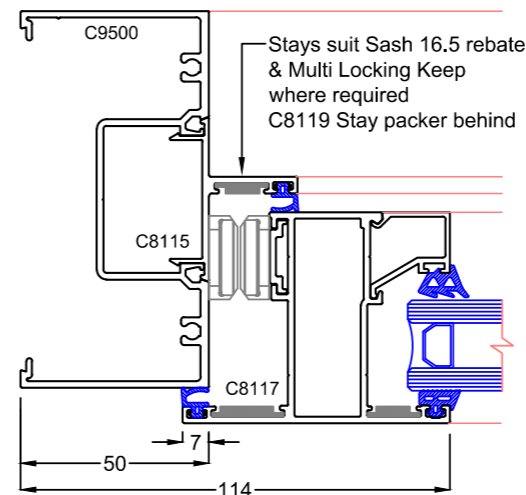
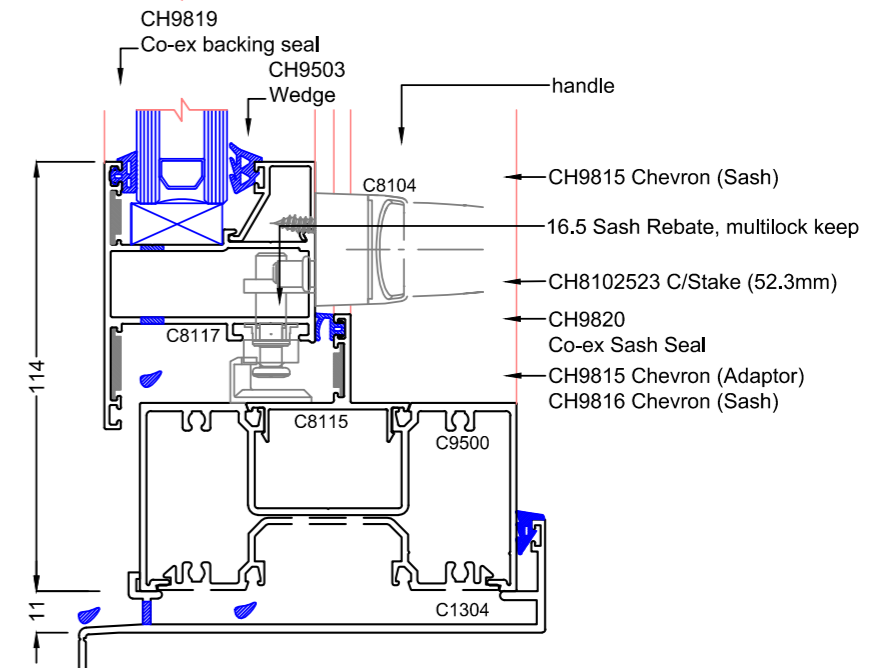
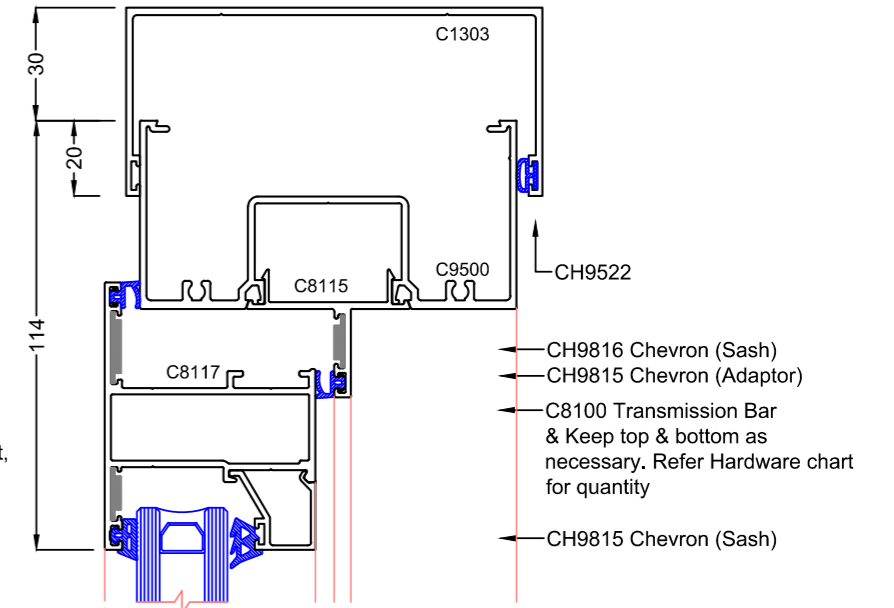
Multi Locking Awning Sash



Note:

- Adapts to Max 100 Centre Glazed, 150 Offset, 100 & 150 Front Glazed
- Maximum Sash weights generally are 130kg
- Refer Hardware specification
- handle Operated key locking & multi locking
- Not recommended for use with winders
- Max Sash Height: 2100mm
- Max Sash Width: 1200mm
- Glass: 24-28mm IGU

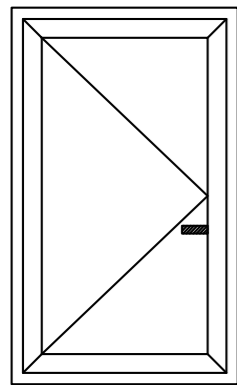
Cutting			
C8115	Sash Adaptor	DOH + 21	MC
C8115	Sash Adaptor	DOW + 21	MC
C8117	Sash	DOH + 14	MC
C8117	Sash	DOW + 14	MC
	Bead	DOH - 128	
	Bead	DOW - 92	



Max™ MULTI LOCKING PROJECT OUT SASHES

Max Framing Systems: MULTILOCKING - 4

Multi Locking Casement Sash

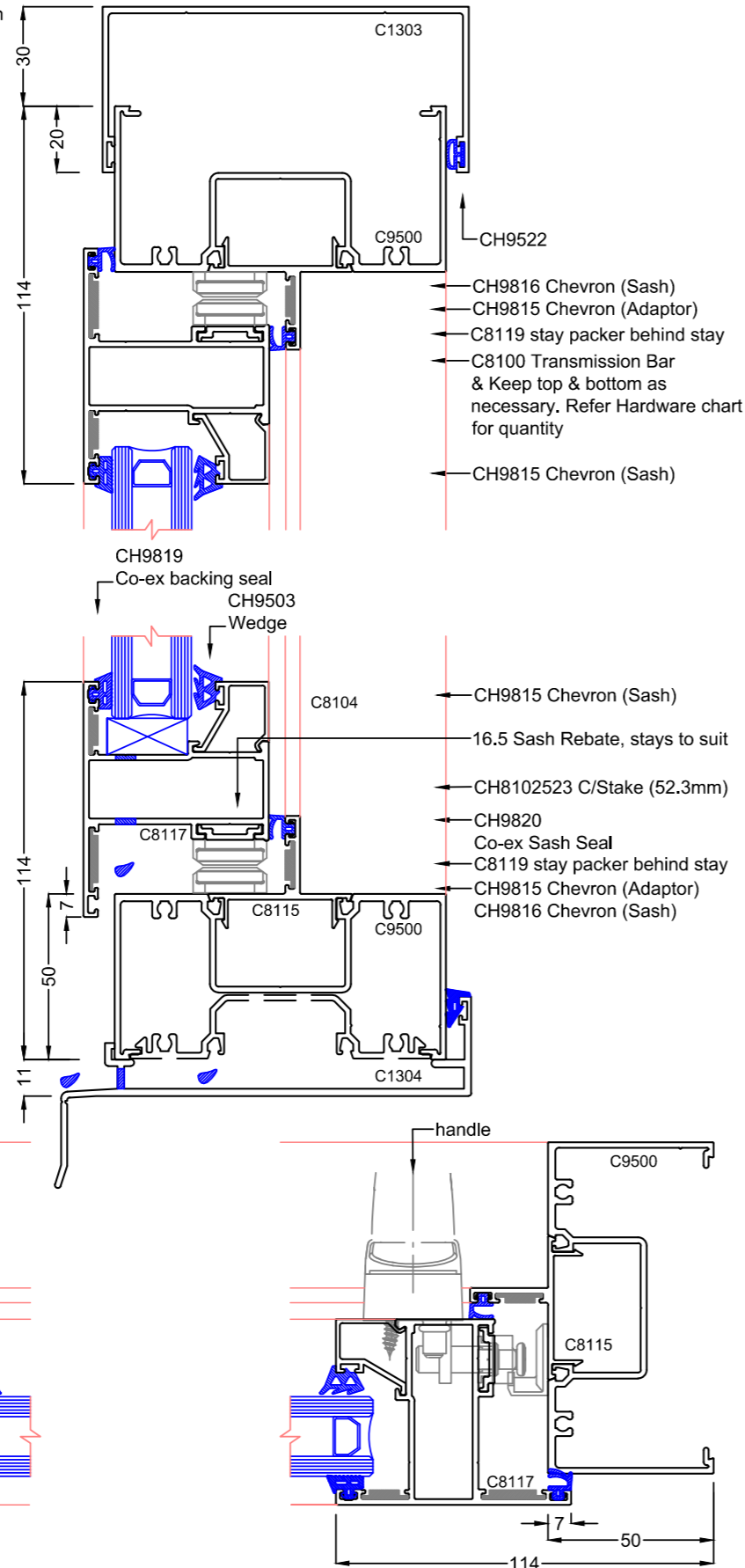


Left Hand Casement Sash as viewed from Outside.

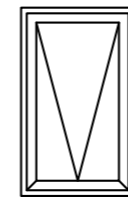
Note:

- Maximum Sash weights generally are 72kg with HD casement stays Refer Hardware specification
- handle Operated key locking
- Multi Locking points available for security & strength
- Max Height 2100mm
- Max width 900mm
- Glass: 24-28mm IGU

Cutting			
C8115	Sash Adaptor	DOH + 21	MC
C8115	Sash Adaptor	DOW + 21	MC
C8117	Sash	DOH + 14	MC
C8117	Sash	DOW + 14	MC
	Bead	DOH - 128	
	Bead	DOW - 92	



Awning Hardware Packages



Note: Hardware is variable dependant on Sash Height, Width, weight & handle finish.
Select: Kit + handle for a complete bill of materials

CHTH1 Project Out Sash Sash Height 300 - 500mm up to 40kg		
Ref #	Description	Qty
1	203mm Friction Stay	Pair
2	T Connector 30mm	1
3	Security Connector for handle	1
4	CSK Screw M5 x 8	2
5	Insertable Mushroom Cam 9.8mm	2
6	Strike for 767006	2
7	Centre Closers (Snubber) 16mm	2
8	26mm Fork for Geared handle	1

CHTH3 Project Out Sash Sash Height 701 - 1200mm up to 55kg		
Ref #	Description	Qty
1	406mm Friction Stay	Pair
2	T Connector 30mm	1
3	Security Connector for handle	1
4	CSK Screw M5 x 8	2
5	Insertable Mushroom Cam 9.8mm	3
6	Strike for 767006	3
7	Centre Closers (Snubber) 16mm	Pair
8	26mm Fork for Geared handle	1

CHTH5 Project Out Sash Sash Height 1201 - 1500mm up to 120kg		
Ref #	Description	Qty
1	660mm Friction Stay	Pair
2	T Connector 30mm	1
3	Security Connector for handle	2
4	CSK Screw M5 x 8	2
5	Insertable Mushroom Cam 9.8mm	3
6	Strike for 767006	3
7	Centre Closers (Snubber) 16mm	Pair
8	26mm Fork for Geared handle	1
10	Restrictor - 16mm Stack Height	1
11	S7280 Adjustment Block	1

CHTH2 Project Out Sash Sash Height 501 - 700mm up to 45kg		
Ref #	Description	Qty
1	203mm Friction Stay	Pair
2	T Connector 30mm	1
3	Security Connector for handle	1
4	CSK Screw M5 x 8	2
5	Insertable Mushroom Cam 9.8mm	2
6	Strike for 767006	3
7	Centre Closers (Snubber) 16mm	3
8	26mm Fork for Geared handle	1

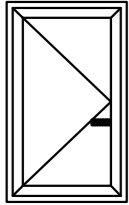
CHTH4 Project Out Sash Sash Height 1201 - 1500mm up to 75kg		
Ref #	Description	Qty
1	559mm Friction Stay	Pair
2	T Connector 30mm	1
3	Security Connector for handle	1
4	CSK Screw M5 x 8	3
5	Insertable Mushroom Cam 9.8mm	2
6	Strike for 767006	2
7	Centre Closers (Snubber) 16mm	Pair
8	26mm Fork for Geared handle	1
10	Restrictor - 16mm Stack Height	1

CHTH6 Project Out Sash Sash Height 1501 - 2400mm up to 180kg		
Ref #	Description	Qty
1	660mm HD Friction Stay	Pair
2	T Connector 30mm	1
3	Security Connector for handle	2
4	CSK Screw M5 x 8	2
5	Insertable Mushroom Cam 9.8mm	3
6	Strike for 767006	3
7	Centre Closers (Snubber) 16mm	Pair
8	26mm Fork for Geared handle	1
10	Restrictor - 16mm Stack Height	1
11	S7280 Adjustment Block	1

Max™ MULTI LOCKING PROJECT OUT SASHES

Max Framing Systems: MULTILOCKING - 5

Casement Hardware Packages

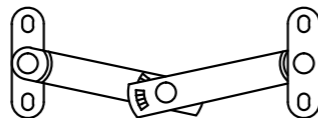


Note: Hardware is variable dependant on Sash Height, Width, hand, Weight & handle finish.
Select: Kit + handle for a complete bill of materials

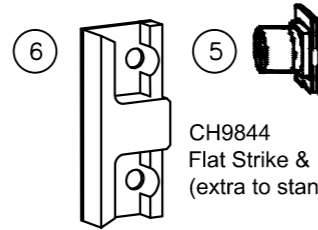
Ref #	Description	Qty
CHSH1 Casement Sash Sash Width 380 - 550mm up to 40kg		
1	305mm SS Friction Stay	Pair
2	Run Up Block - deleted from package	
3	T Connector 30mm	1
4	Security Connector for handle	1
5	CSK Screw M5 x 8	2
6	Insertable Mushroom Cam 9.8mm	2
7	Strike for 767006	2
8	Centre Closers (Snubber) 16mm	1
9	26mm Fork for Geared handle	1

Ref #	Description	Qty
CHSH2 Casement Sash Sash Width 551 - 700mm up to 45kg		
1	405mm SS Friction Stay	Pair
2	Run Up Block - deleted from package	
3	T Connector 30mm	1
4	Security Connector for handle	1
5	CSK Screw M5 x 8	2
6	Insertable Mushroom Cam 9.8mm	3
7	Strike for 767006	3
8	Centre Closers (Snubber) 16mm	1
9	26mm Fork for Geared handle	1

Ref #	Description	Qty
CHSH3 Casement Sash Sash Width 701 - 900mm up to 72kg		
1	405mm SS 4 Bar Csmnt Egress Stay	Pair
2	Run Up Block - deleted from package	
3	T Connector 30mm	1
4	Security Connector for handle	1
5	CSK Screw M5 x 8	2
6	Insertable Mushroom Cam 9.8mm	3
7	Strike for 767006	3
8	Centre Closers (Snubber) 16mm	1
9	26mm Fork for Geared handle	1



CH9839
Sash Restrictor used to limit sash opening when required



CH9844
Flat Strike & Insertable Cam Package
(extra to standard sash kits)

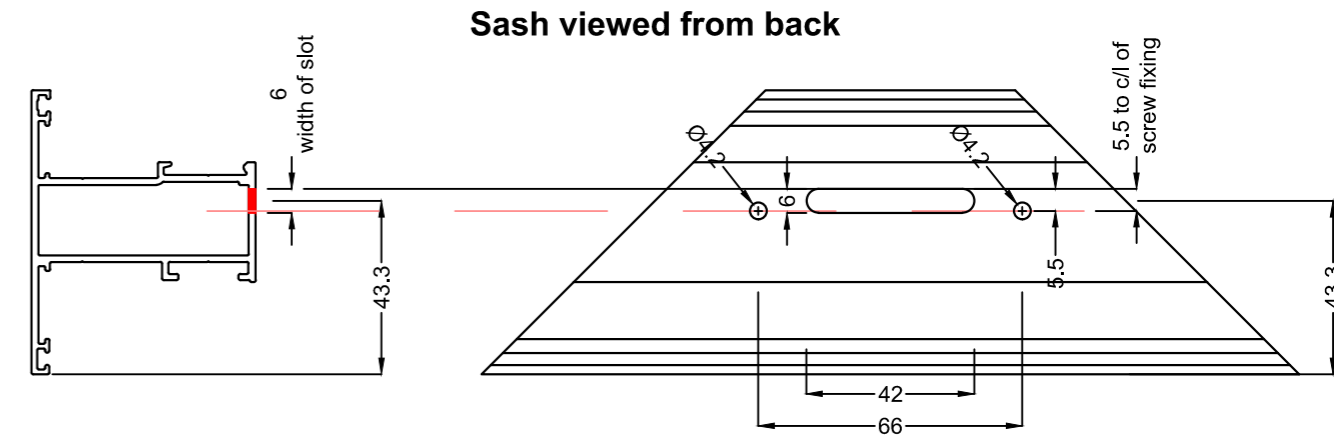
CH9835
Forked handle non key locking
suits awning & casement

Rotoline handle (suits fork)		
Ref #	Code	Finish
10	CH9835SVR	Silver Powdercoat
10	CH9835WHT	White Powdercoat
10	CH9835BLK	Black Powdercoat

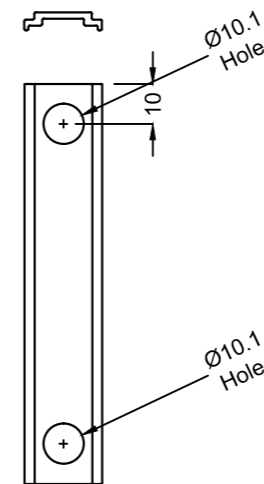
Example for Ordering

1800 x 1200 awning, White handle
CHTH4 Kit + CH9835WHT handle

Multi Locking Sash Machining



Transmission Bar Machining

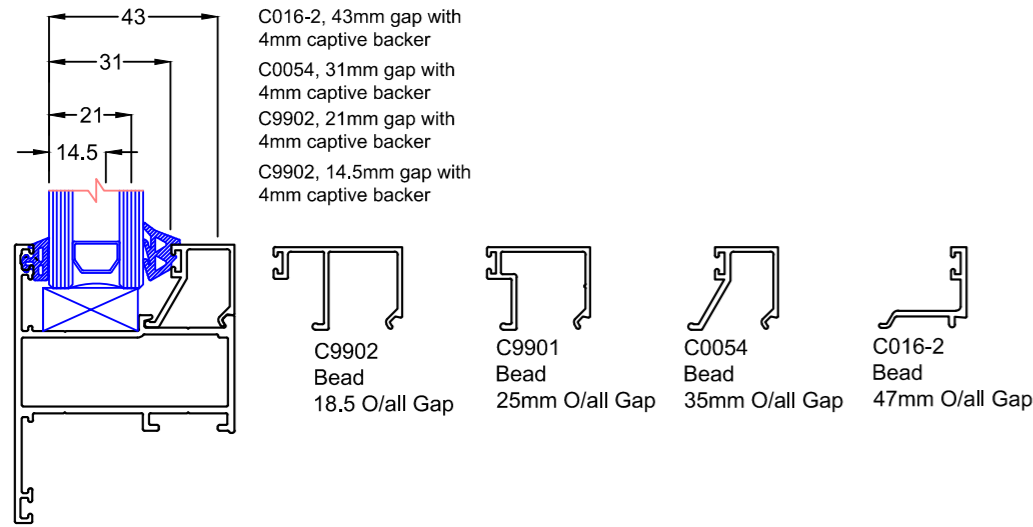


Max™ MULTI LOCKING PROJECT OUT SASHES

Max Framing Systems: MULTILOCKING - 6

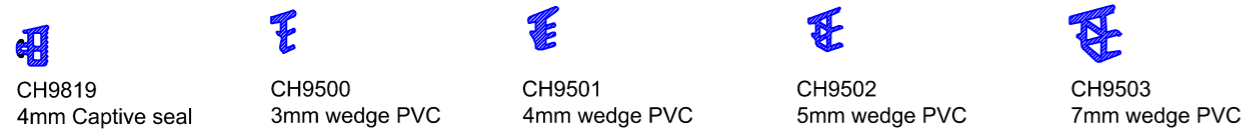
Sash Glazing Details

Principally designed for double glazed as an unbroken system, C9902 bead allows scope for single glazing.

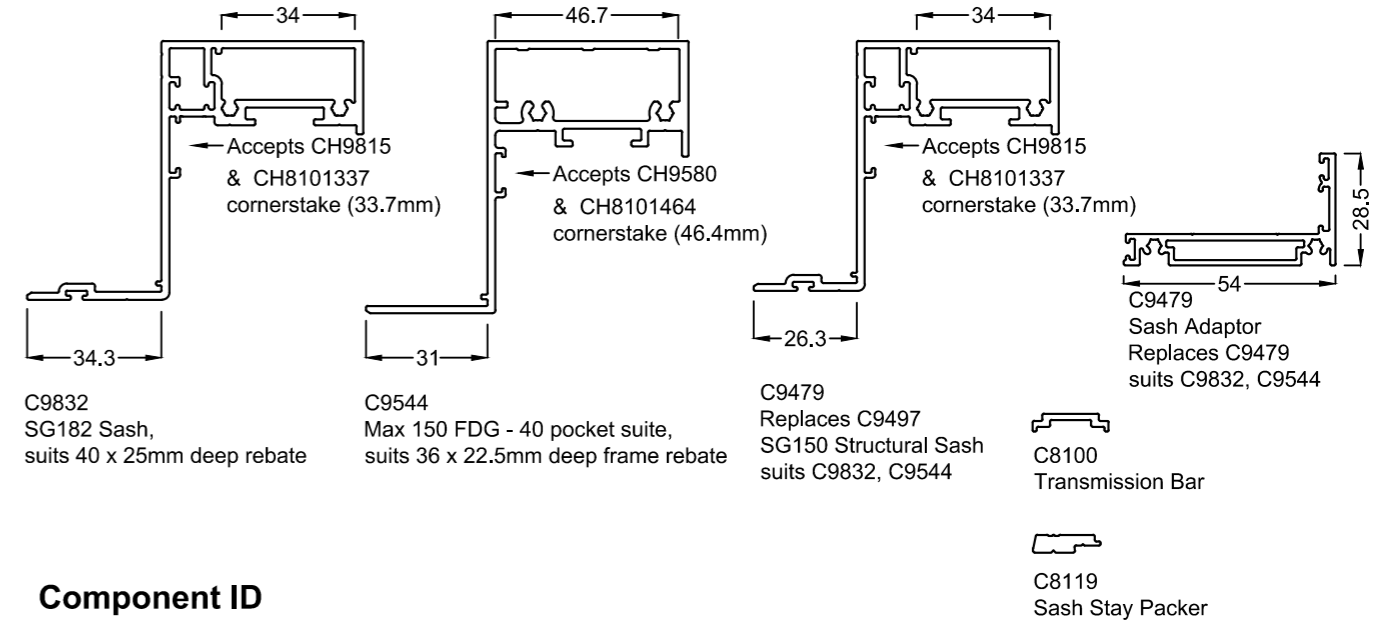


Max Awning Sash	Glass thickness	Gap (less backer)	Bead	CH9819 backer Thickness	Glazing wedge	Gap
	6mm	14.5mm	C9902	4mm	silicone	8.5mm
	8mm	14.5mm	C9902	4mm	CH9503	7mm
	10mm	14.5mm	C9902	4mm	CH9502	5mm
	13.52mm	21mm	C9901	4mm	CH9502	5.5mm
	18mm	21mm	C9901	4mm	CH9500	3mm
	24mm	31mm	C0054	4mm	CH9503	7mm
	26mm	31mm	C0054	4mm	CH9502	5mm
	28mm	31mm	C0054	4mm	CH9500	3mm
	34mm	43mm	C016-2	4mm	silicone	9mm
36mm	43mm	C016-2	4mm	CH9503	7mm	
38mm	43mm	C016-2	4mm	CH9502	5mm	
40mm	43mm	C016-2	4mm	CH9500	3mm	

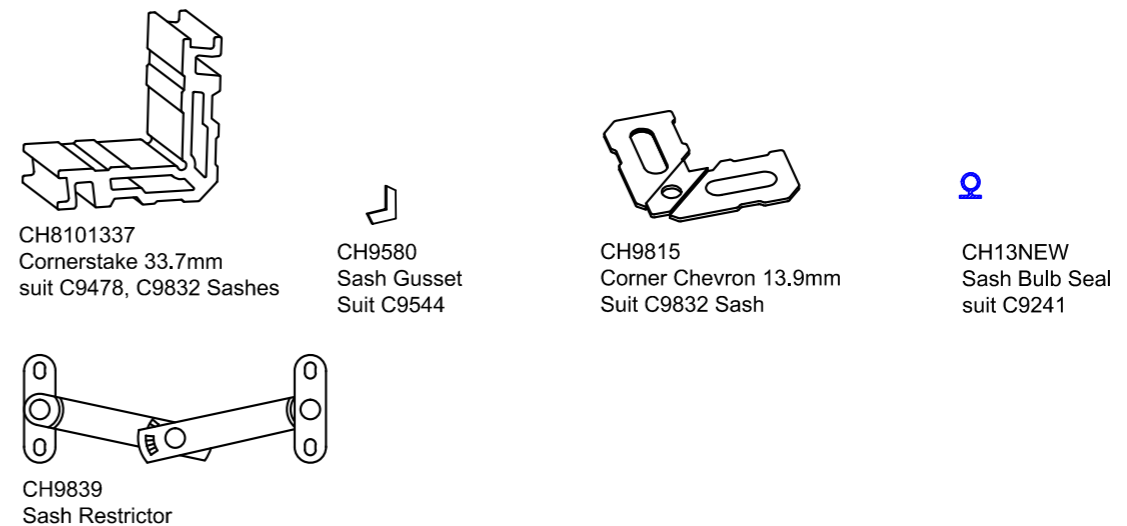
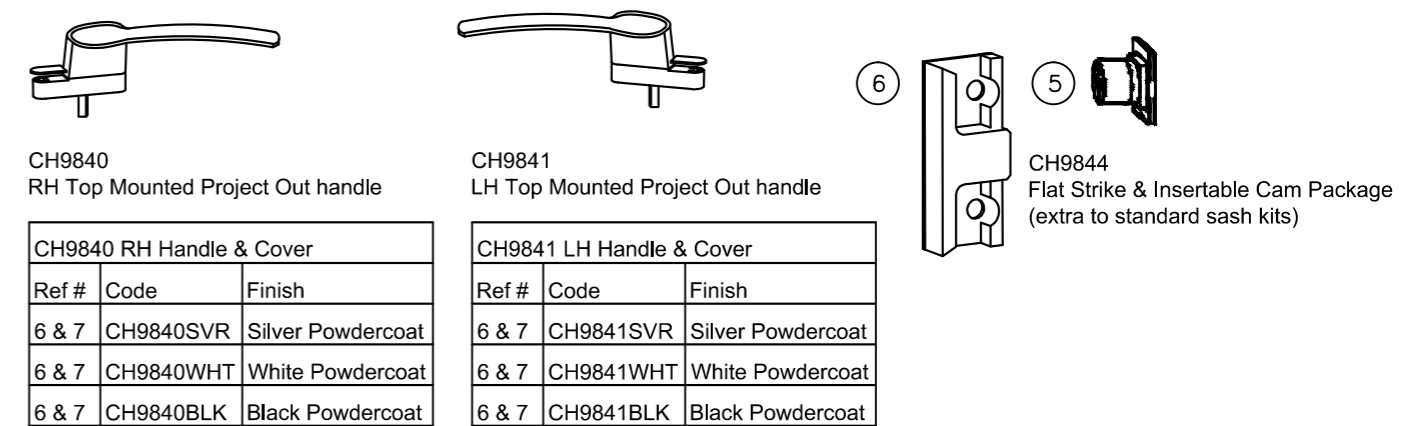
Glazing Wedges



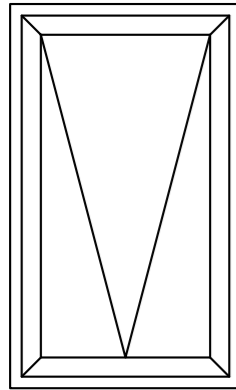
Structural Sash Extrusion ID



Component ID



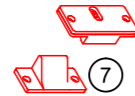
Max™ MULTI LOCKING PROJECT OUT SASHES
Max Framing Systems: MULTILOCKING - 7
Multi Locking Top Mounted Awning Hardware ID



Note: Awning Sash hardware in the schematic is shown from Inside.
The handle is non-key locking as standard but can be supplied keyed.
The handle is fitted centrally off the back of the sash bottom rail.

ROTO Top Mounted Awning Sash Hardware

This hardware operates by a non keylocking handle, mounted on the stile of the sash. Key locking is also available.

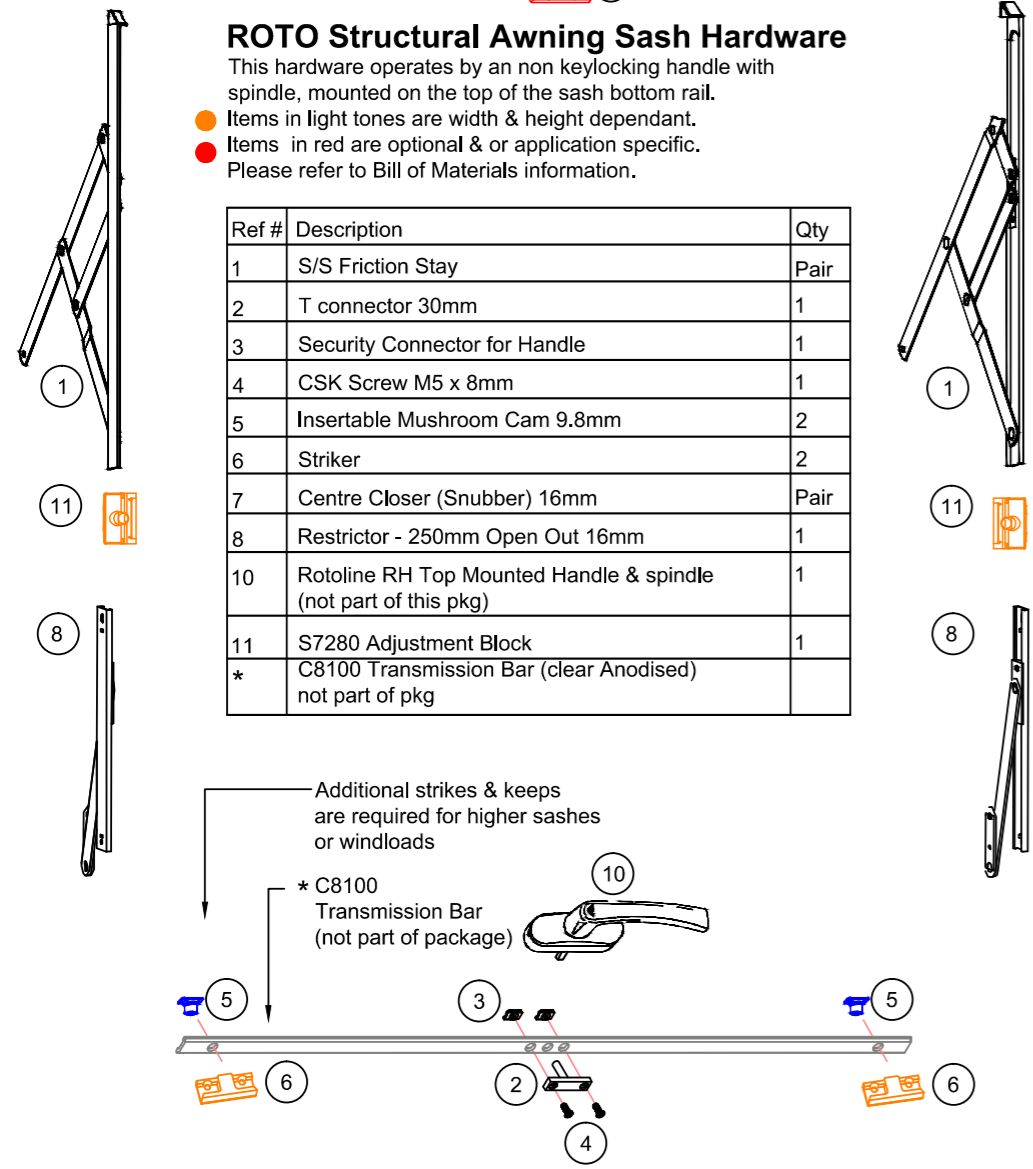


ROTO Structural Awning Sash Hardware

This hardware operates by an non keylocking handle with spindle, mounted on the top of the sash bottom rail.

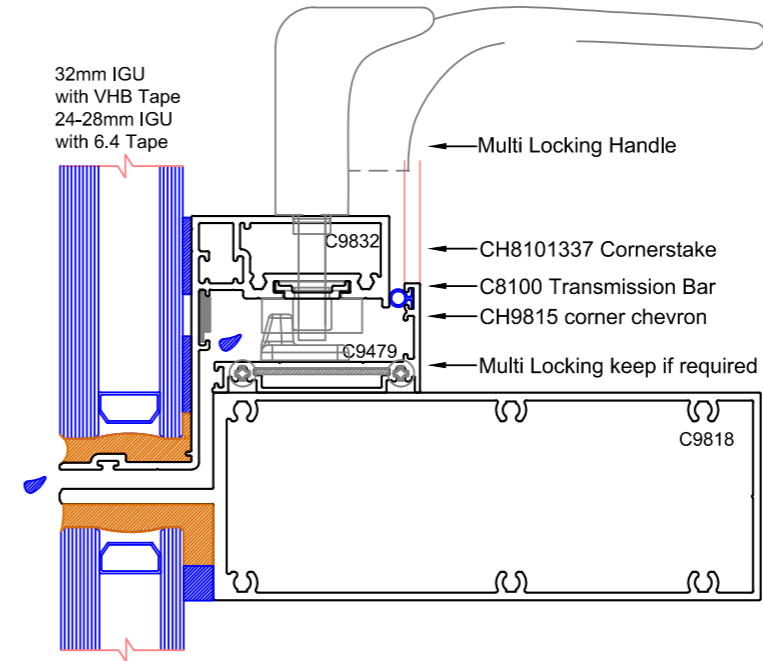
- Items in light tones are width & height dependant.
 - Items in red are optional & or application specific.
- Please refer to Bill of Materials information.

Ref #	Description	Qty
1	S/S Friction Stay	Pair
2	T connector 30mm	1
3	Security Connector for Handle	1
4	CSK Screw M5 x 8mm	1
5	Insertable Mushroom Cam 9.8mm	2
6	Striker	2
7	Centre Closer (Snubber) 16mm	Pair
8	Restrictor - 250mm Open Out 16mm	1
10	Rotoline RH Top Mounted Handle & spindle (not part of this pkg)	1
11	S7280 Adjustment Block	1
*	C8100 Transmission Bar (clear Anodised) not part of pkg	



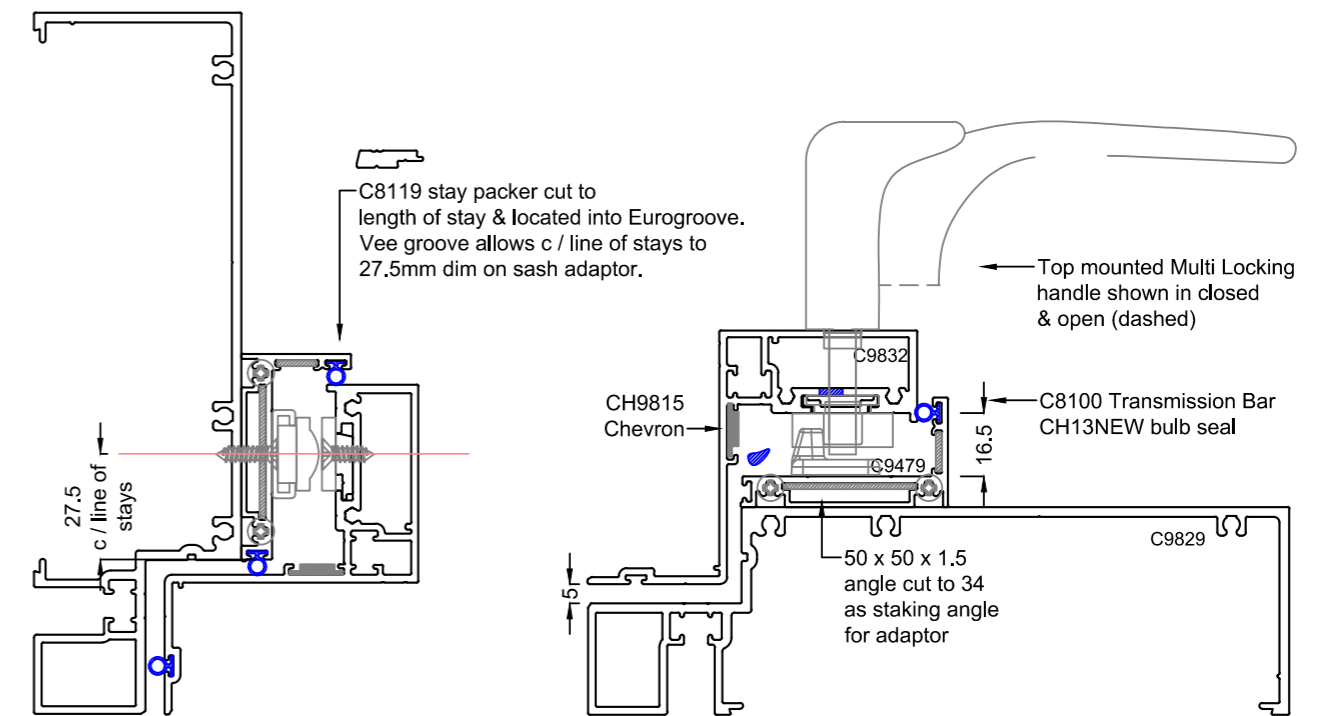
Structural Sashes

The detail below is applicable with all structural glazed sashes using "top mounted handles".



C9478 & C9832 Structural Sashes

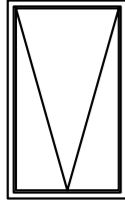
Stays are supported by a packer located into the sash and through fixed into vee groove on the packer to allow a location point.



Max™ MULTI LOCKING PROJECT OUT SASHES

Max Framing Systems: MULTILOCKING - 8

Structural Sash Hardware Packages



Note: Hardware is variable dependant on Sash Height, Width, Weight & handle finish.
Select: Kit + handle for a complete bill of materials

CHTHC1 Project Out Sash Rebate Height 300 - 500mm up to 40kg		
Ref #	Description	Qty
1	203mm SS Friction Stay	Pair
2	Top Hung Centre Gear	1
3	Insertable Mushroom Cam 9.8mm	2
4	Strike for 767006	2
5	Centre Closers (Snubber) 16mm	1

CHTHC2 Project Out Sash Rebate Height 501 - 700mm up to 45kg		
Ref #	Description	Qty
1	305mm SS Friction Stay	Pair
2	Top Hung Centre Gear	1
3	Insertable Mushroom Cam 9.8mm	3
4	Strike for 767006	3
5	Centre Closers (Snubber) 16mm	1

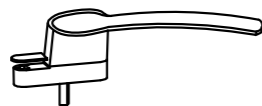
CHTHC3 Project Out Sash Rebate Height 701 - 1200mm up to 55kg		
Ref #	Description	Qty
1	406mm SS Friction Stay	Pair
2	Top Hung Centre Gear	1
3	Insertable Mushroom Cam 9.8mm	3
4	Strike for 767006	3
5	Centre Closers (Snubber) 16mm	1

CHTHC4 Project Out Sash Rebate Height 1201 - 1500mm up to 75kg		
Ref #	Description	Qty
1	559mm SS Friction Stay	Pair
2	Top Hung Centre Gear	1
3	Insertable Mushroom Cam 9.8mm	2
4	Strike for 767006	2
5	Centre Closers (Snubber) 16mm	1
8	Restrictor - 250mm 16mm Stack Height	1

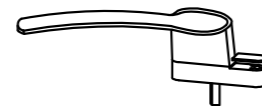
CHTHC5 Project Out Sash Rebate Height 1201 - 1500mm up to 120kg		
Ref #	Description	Qty
1	660mm SS Friction Stay	Pair
2	Top Hung Centre Gear	1
3	Insertable Mushroom Cam 9.8mm	3
4	Strike for 767006	3
5	Centre Closers (Snubber) 16mm	1
8	Restrictor - 250mm 16mm Stack Height	1
9	S7280 Adjustment Block	1

CHTHC6 Project Out Sash Rebate Height 1201 - 2500mm up to 180kg		
Ref #	Description	Qty
1	660mm SS HD Friction Stay	Pair
2	Top Hung Centre Gear	1
3	Insertable Mushroom Cam 9.8mm	3
4	Strike for 767006	3
5	Centre Closers (Snubber) 16mm	1
8	Restrictor - 250mm 16mm Stack Height	1
9	S7280 Adjustment Block	1

CH9840 Handle & Cover		
Ref #	Code	Finish
6 & 7	CH9840SVR	Silver Powdercoat
6 & 7	CH9840WHT	White Powdercoat
6 & 7	CH9840BLK	Black Powdercoat



CH9840
RH Handle Package
(Standard Hand for awnings)
Top Mounted Project Out
Handle & Cover with spindle

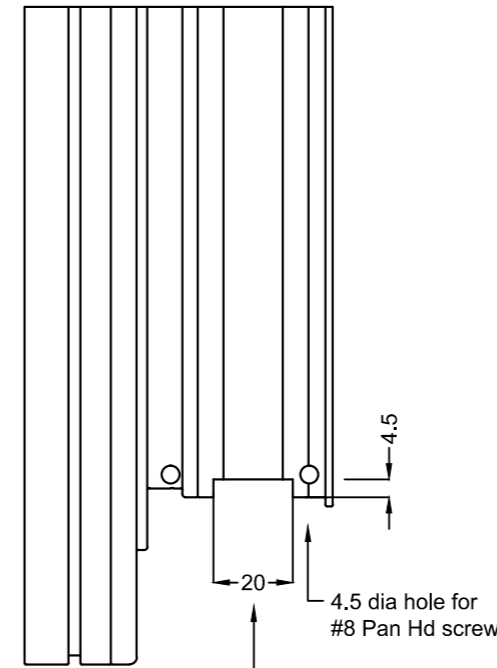


CH9840
LH Handle Package
Top Mounted Project Out
Handle & Cover with spindle

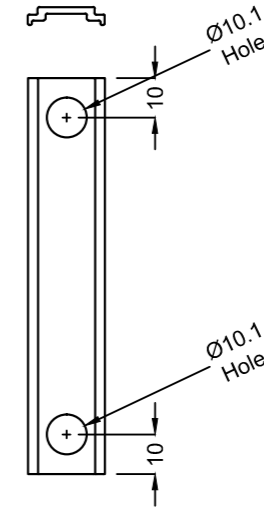
Example for Ordering

1800 x 1200 Sash, 50kg
CHTHC6 Kit + CH9840SVR handle

Sash Machining



Transmission Bar Machining



Bottom Rail Machining to suit Handle & motor.

